

()

\

*

(// : // :)

:

(/)

/ " " / " " / " "

:

.().

.()

:

.()

:

:()

()

$$S = f(E_i, E_r, P_e, S_e, R_s, R_b)$$

: S

() : E_i

: E_r

() : P_e

: S_e

: R_s

: R_b

:()

.()

$$I_s = f(P_i, S_i, W_i, C_i)t$$

...

:

:

: I_s

: P_i

: S_i

: W_i

: C_i

: t

()

(/) (/)
(/) ()

:

)

(

)

:()

$$S = f\left(\sum_{i=1}^{n=8} x_i - \sum_{i=1}^{n=3} y_j\right)$$

x_i :

(

()

y_j

:

$$n = \frac{N(t.s)^2}{Nd^2 + (t.s)^2}$$

(.)

/

(.)

K.M.O

$$n = \frac{(t.s)^2}{d^2}$$

=n

t =t

=s

=d

K.M.O

/ / /

K.M.O

/ /

()

/

(.)

$$CI = \sum_{i=1}^n \frac{x_{ij}}{x} \cdot W_{ij}$$

:

=CI

j

i

= X_{ij}

...

:

$$I = \sum_{i=1}^n W_{ij} X_i = \bar{x}$$

(Centroid method)

() () () ()

/

/

/

/

/

/

/

/

/

/

/

/

/

/

/

/

/

/

:

:

:

:

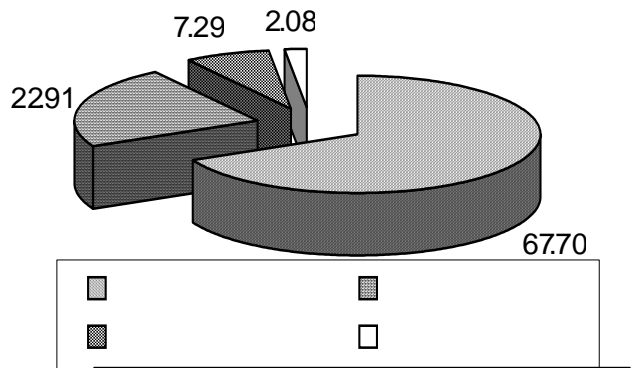
:

/ /

/ /

/ /

/



REFERENCES

7. Farshad, A. & J. A. Zick. 1993. Seeking agricultural sustainability. *Agriculture, Ecosystems and Environment*. Vol. 4 (7): 1-12
8. Liverman, D. M. 1988. *Global Sustainability: Toward Measurement Environmental Management*. vol. 12, n2.
9. Poincelot, R. P. 1987. *Toward a More Sustainable Agriculture*. AVI Pub, Co. Inc.
10. Pretty, J. N. 1995. *Regenerating agriculture: policies and practice for sustainability and self-reliance*. EARTHSCAN, Pub. Ltd. London.
11. Saltiel, J., J.W. Bauder, & S. Palakovich. 1994. Adoption of sustainable agricultural practices: diffusion, farm structure, and profitability. *Rural Sociology* 59:333-349.
12. Senanayak, R. 1991. Sustainable agriculture; Definitions and Parameters for Measurement. *Journal of Sustainable Agriculture* Vol.15 (2/3).